

Mounting kit 2S-EBSK/150 - 2S-EBSK/750

AKIM gear technology – Swiss Made.

Mounting kits 2S-EBSK/150 – 2S-EBSK/750

Mounting kits are the first choice where high power, high torque and great ratio is needed. The hollow shaft allows a short mounting length. The ratios of 27 : 1 to 149 : 1 achievable in single stage, are all integer and mathematic precise. Due to the operational principle, the input shaft turns in the opposite direction as the output shaft. Drive speed of up to 4000 min⁻¹ are permissible.

General informations

- Low backlash: <1 min at the output shaft
- Achieve efficiency rates well over 90%, depending from ratio, load, speed
- Low moment of inertia
- Low weight by compact design
- Smooth operation
- High overload safety
- Good uniformity of movement
- Easy installation
- Lifetime lubricated
- No oil fittings
- Maintenance free

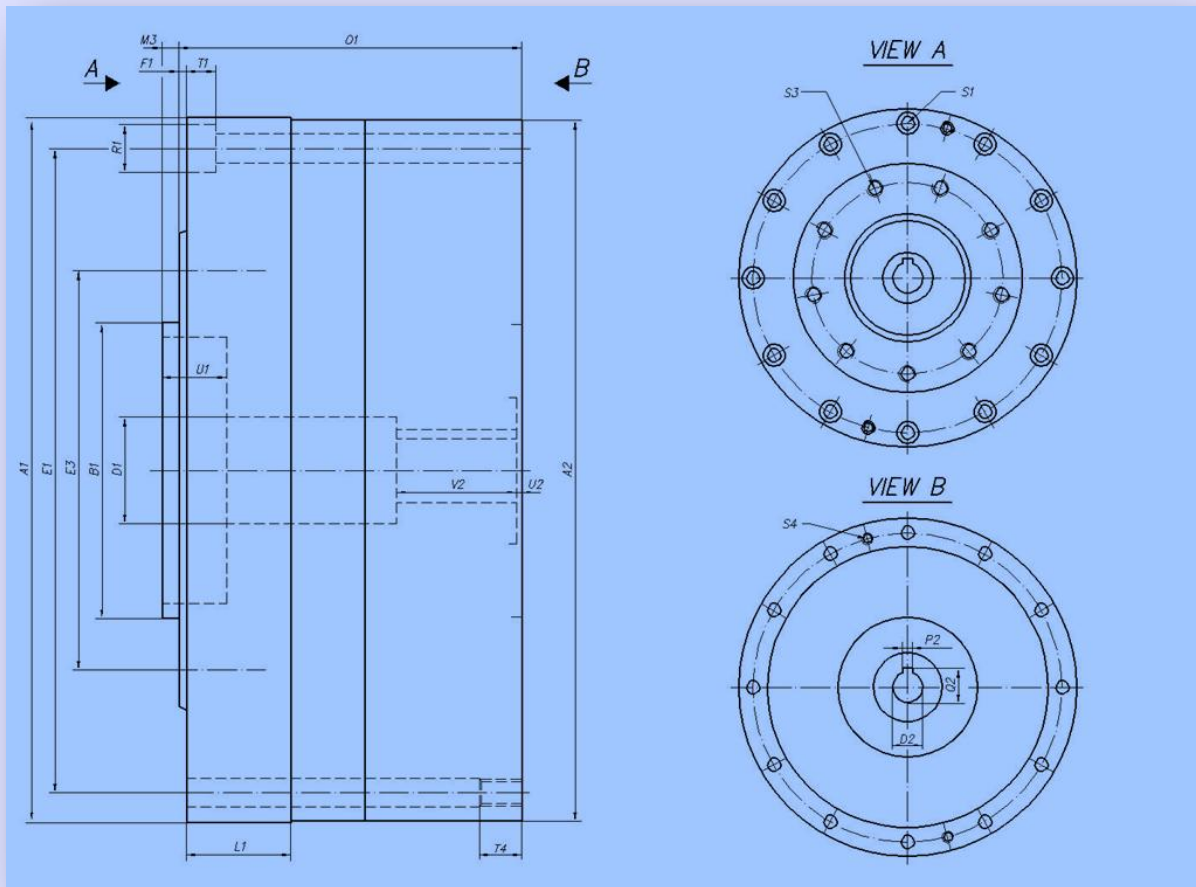
Technical data.

Type	150	250	350	450	650	750
Reduction ratio	31 37 47 59 79 95	30 34 40 48 60 75 100 120	30 34 38 43 50 60 75 95 130	27 32 38 48 56 65 78 98 119	28 32 38 45 51 57 65 77 92 115 145	29 32 36 42 49 59 65 74 84 98 119 149
Max. starting torque T _{2A} [Nm]	235	560	1400	2610	4890	7330
Mass moment of inertia J [kgcm ²]	0.27	1.15	3.85	13.8	31.8	71.7
Weight [Kg]	8	13.5	21	42	73	122

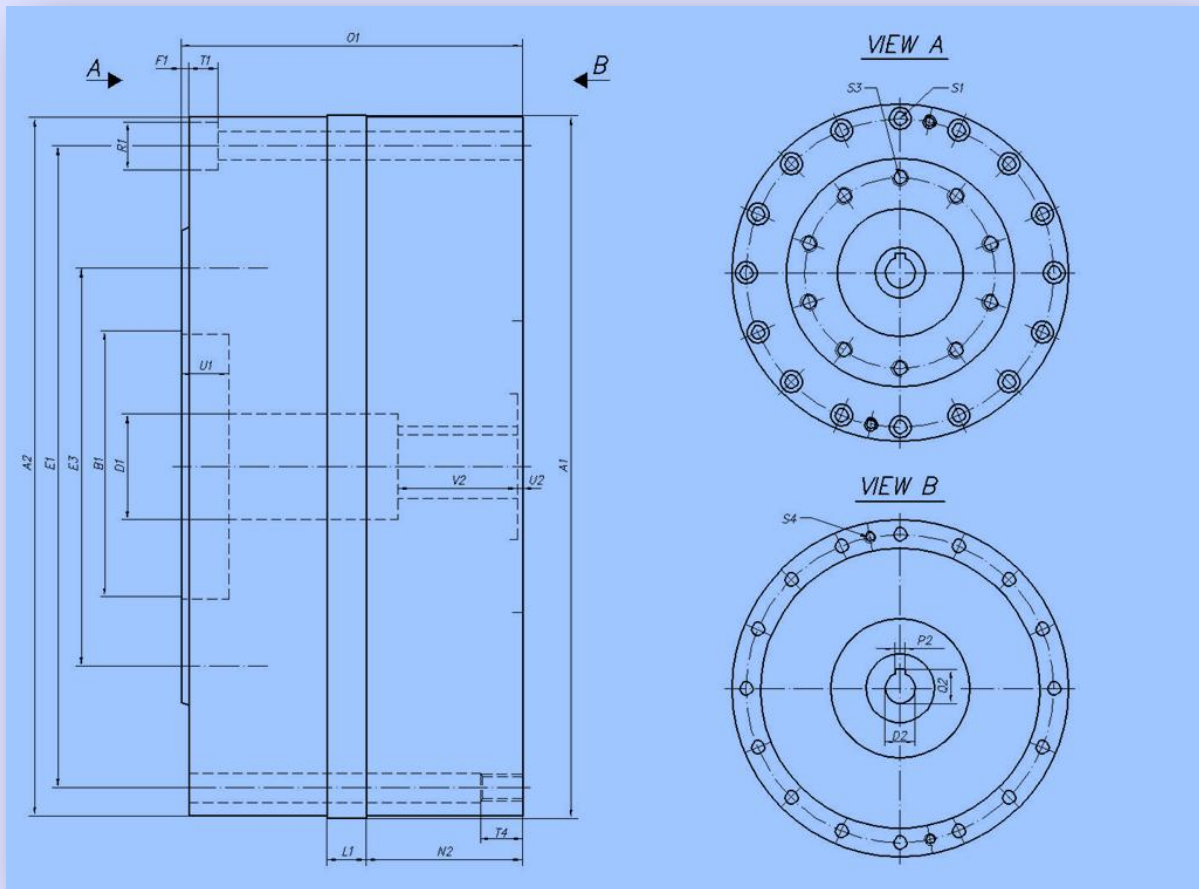
Output nominal torque T_{2n} [Nm] at drive speed n₁.

Drive speed n ₁ [min ⁻¹]	150	250	350	450	650	750
4000	* 100	* 235				
3500	* 105	* 244	* 610			
3000	* 110	* 256	* 640	* 1110		
2500	* 116	* 270	* 680	* 1175		
2250	120	* 279	* 700	* 1210	* 2435	
2000	124	289	* 725	* 1255	* 2525	* 3780
1750	129	301	755	* 1310	* 2625	* 3935
1500	135	315	790	1370	* 2750	* 4125
1250	143	332	835	1445	2905	* 4355
1000	152	356	890	1545	3105	4655
750	166	388	975	1685	3390	5075
≤ 600	177	415	1040	1800	3620	5430
* Max. 50% of permissible power on time						

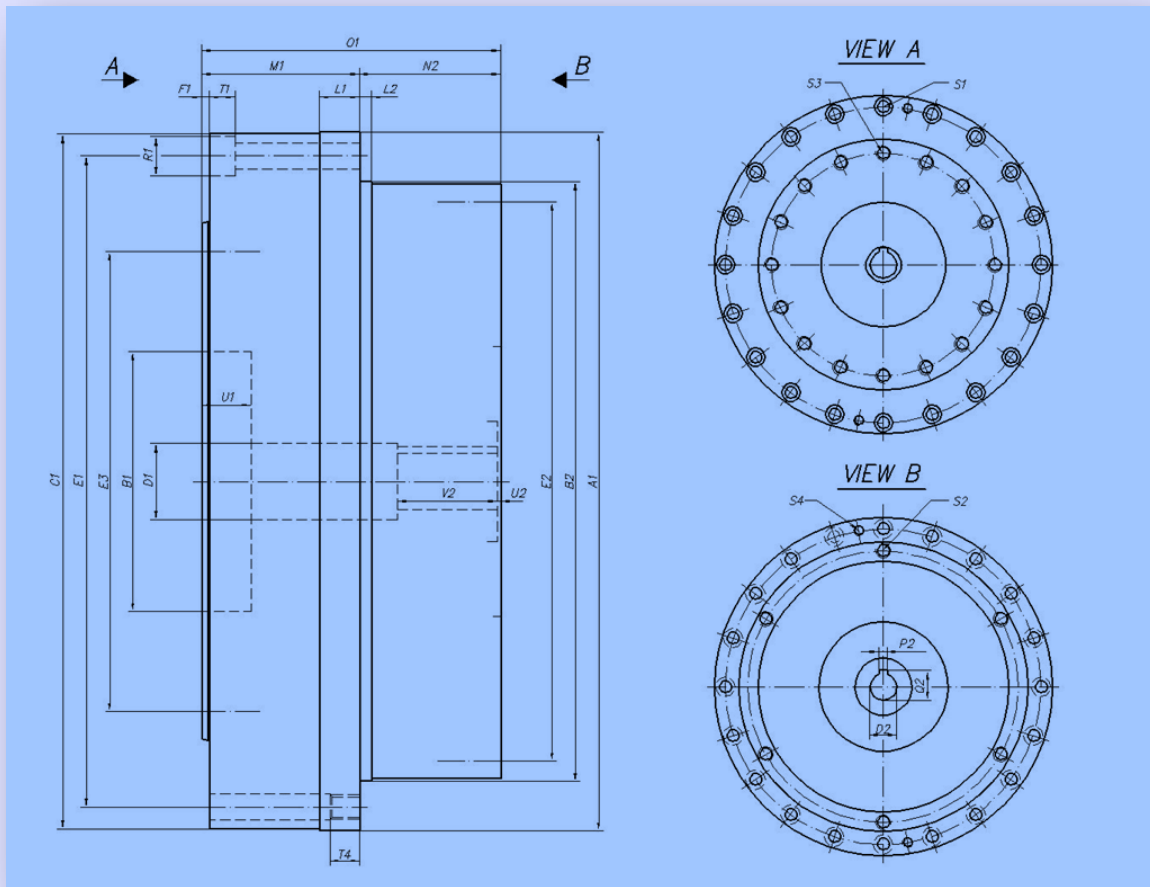
Drawing ESBK-2S/150/250/350.



Drawing ESBK-2S/450.



Drawing ESBK-2S/650/750.



Dimensions.

Type		EBSK/150	EBSK/250	EBSK/350	EBSK/450	EBSK/650	EBSK/750
Dimensions							
Input	A1	140-h7	170-h7	210-h7	265-h7	350-h7	430-h7
	B1	45-h7	60-h7	80-h7	100-M7	130-M7	150-M7
	C1	-	-	-	-	349	429
	D1	14	22	28	40	45	55
	E1	127	153	190	242	326	400
	E3	78	87	113	150	230	280
	F1	1	2	2	3	4	4
	L1	25	30	30	15	20	20
	M1	-	-	-	-	79	84
	M3	3	4	4	-	-	-
	O1	81	98	107	129	150	164
	R1	11	15	17	18	19	20
	S1	12xØ7	12xØ9	12xØ11	16xØ11	20xØ13	20xØ13
	S3	9xM6x12	9xM8x16	10xM10x20	10xM14x20	16xM16x25	16xM16x25
	T1	7	8.6	11	11	13	13
	U1	12	14	13	18	25	25
Output	A2	139	169	209	263.5	-	-
	B2	-	-	-	-	300-h7	370-h7
	D2	11-H7	14-H7	19-H7	24-H7	28-H7	28-H7
	E2	-	-	-	-	280	345
	L2	-	-	-	-	6	7
	N2	-	-	-	59	71	80
	P2	4-JS9	5-JS9	6-JS9	8-JS9	8-JS9	8-JS9
	Q2	12.8	16.3	21.8	27.3	31.3	31.3
	S2	-	-	-	-	6xM10x20	6xM10x20
	S4	2xM6	2xM8	2xM10	2xM10	2xM12	2xM12
	T4	13	12	12	13	12	12
	U2	1	2	1	1	2	2
V2	25	30	35	45	50	65	